

Varimixer

# MULTILIFT 30-60

**LIFTING HEIGHT** The Multilift 30-60 lift bowls from 25 to 145 cm for suitable working height.

**EASY HANDLING** After mixing, the bowl is lifted directly out of the mixer, driven to the work-place and lifted up to appropriate working height for portioning of the contents.

**EASY TRANSPORTATION** Multilift handles all lifts of bowls and is easy to drive around in the kitchen.

**BOWL SIZES** The Multilift 30-60 handles bowls from 30 to 60L.

**MAXIMUM LOAD** Multilift 30-60 moves, lifts and handles loads of up to 60 kg simply and efficiently.

**OVERLOAD PROTECTION** The lift is equipped with automatic over-load switch.

**BATTERY POWERED** The Multilift 30-60 will enhance efficiency in your work processes and ensure health and safety.



**TWO IN ONE** The Multilift 30-60 has the option to use the same lift for both bowls using the fork and with the platform turned down also for lifting boxes etc.



**EASY OPERATION** The lifting and lowering function is controlled via the switch on the control panel.

**WHEN NOT IN USE** When Multilift 30-60 is not in use, it can be parked under the table.



## VARIMIXER MULTILIFT 30-60

The mast is made of aluminum profile (AlMg3)

The sledge, handlebar and base frame are made of power coated or electrogalvanized steel.

Charger: 230V, 2 Amps

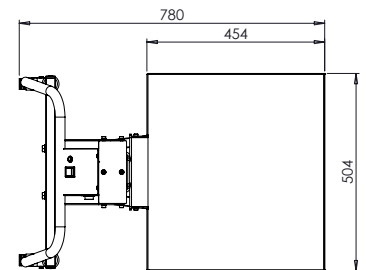
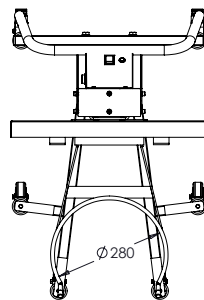
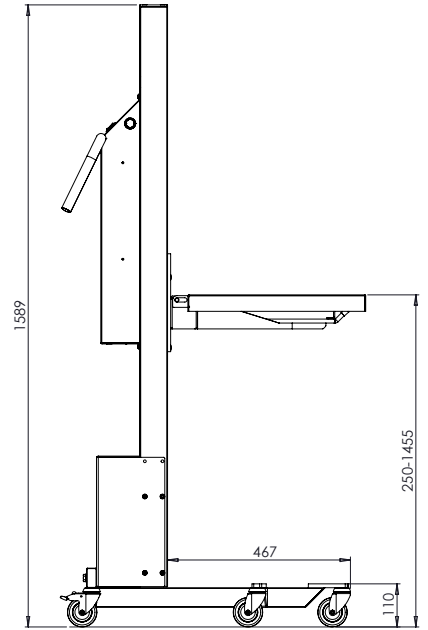
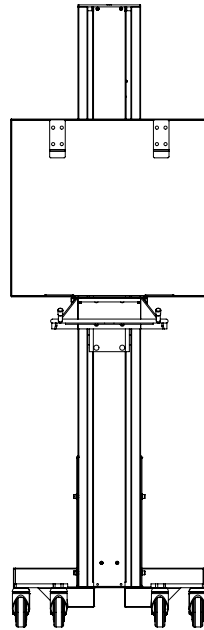
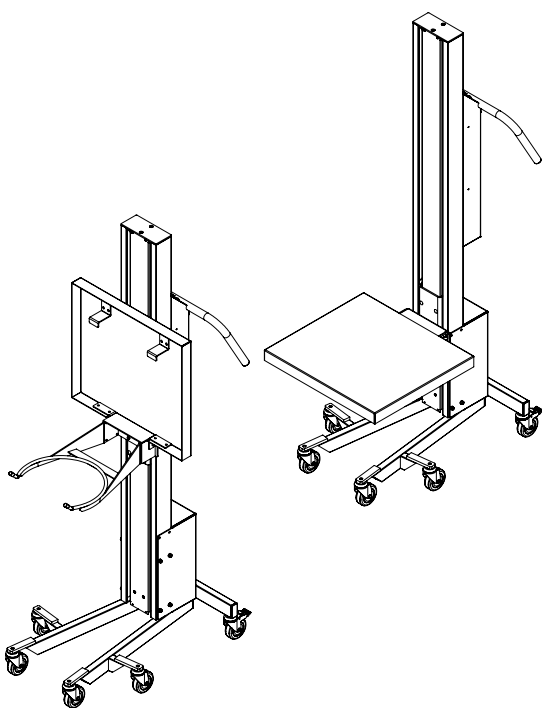
## CERTIFICATIONS



## VARIMIXER MULTILIFT 30-60

Bowl size	30 - 60 L
Platform size	50 x 45 cm
Maximum load	60 kg
Net weight	32 kg
H x W x L	1589 x 504 x 780 mm
Batteries	24V, 9Ah
Charging time (100%)	8 hrs.
Sound pressure level	≤ 70 Db(A)
Vibration strength	≤ 2.5 m/s <sup>2</sup>
IP code	IP41

## DIMENSIONS



# Varimixer

Varimixer A/S  
Kirkebjerg Søpark 6  
DK-2605 Brøndby  
P: +45 4344 2288  
E: info@varimixer.com  
www.varimixer.com