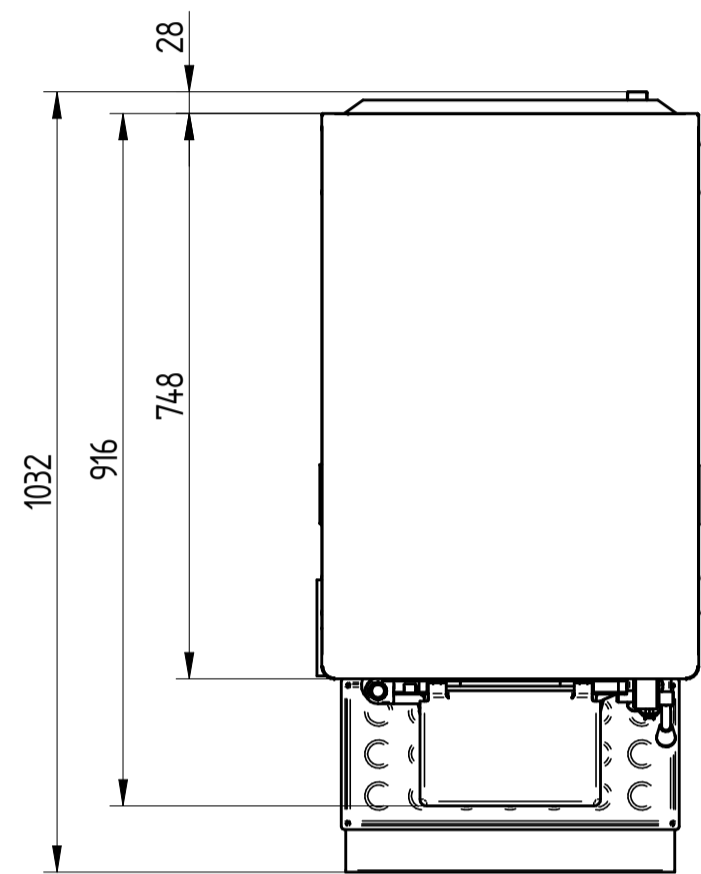
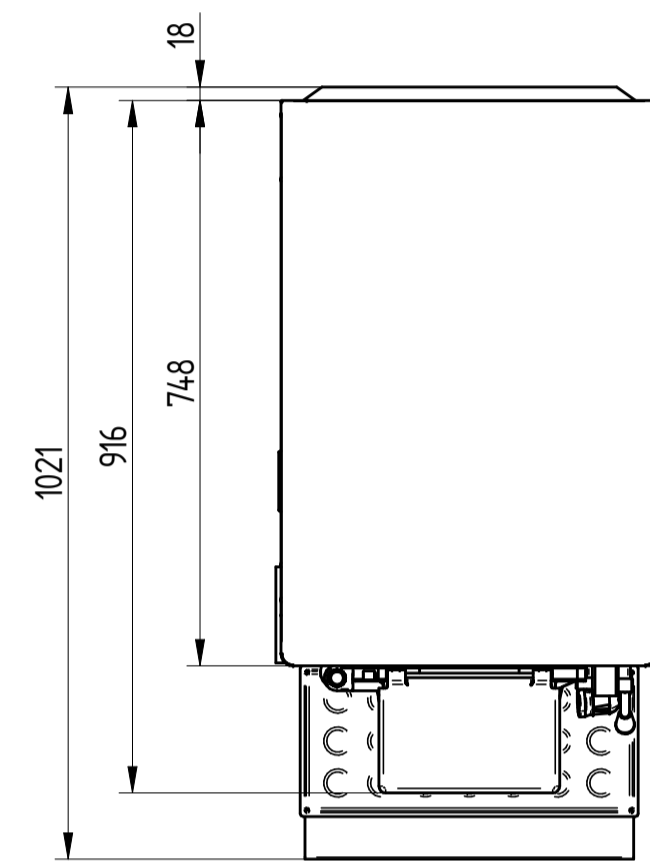


STARGEL 5

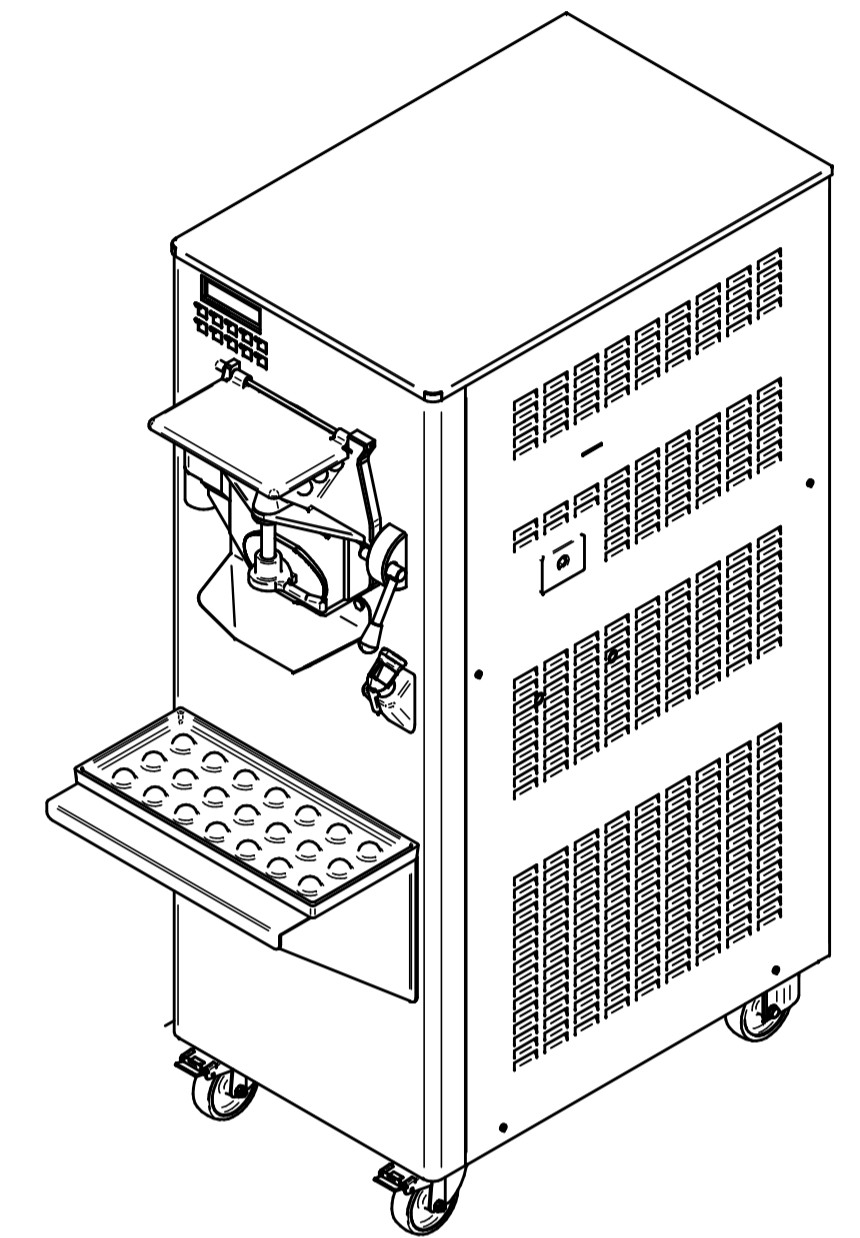
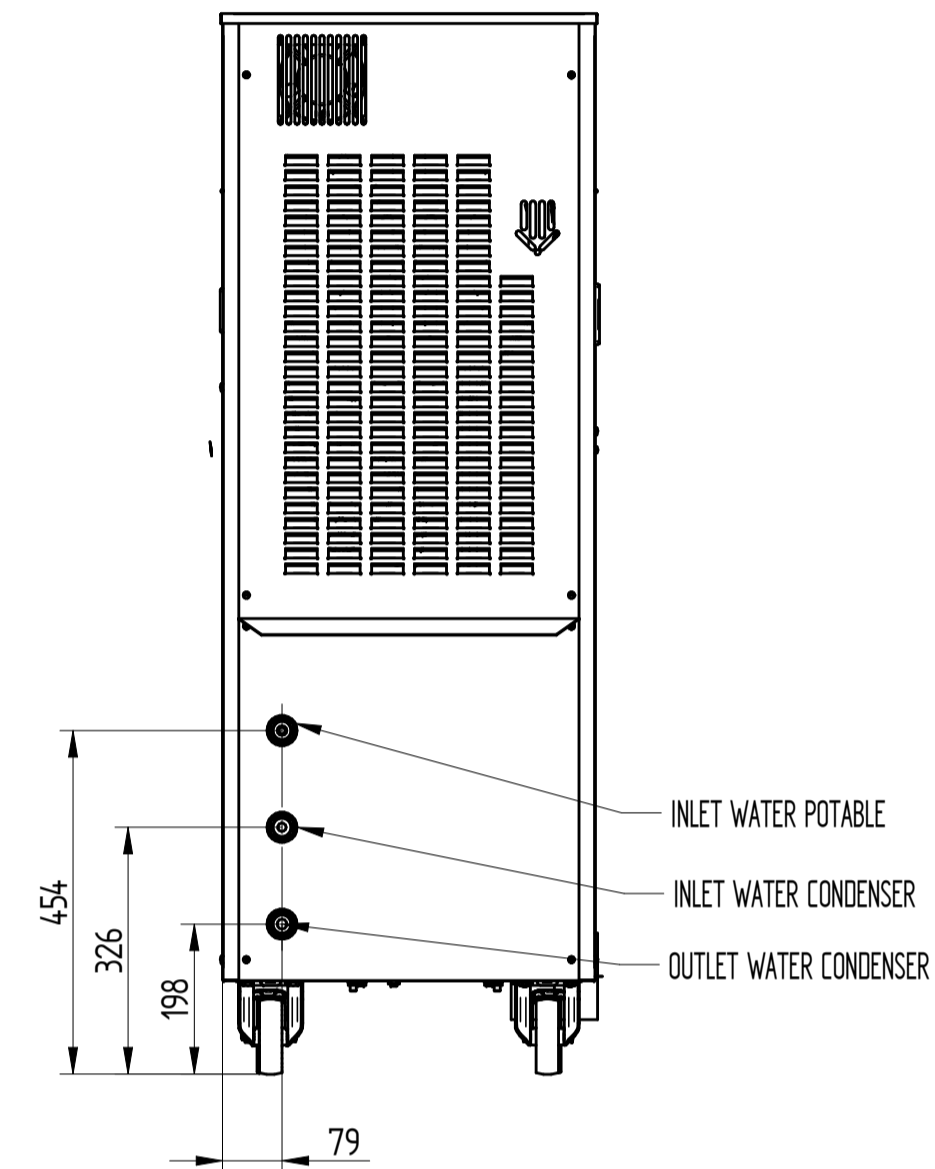
UPPER VIEW WATER VERSION



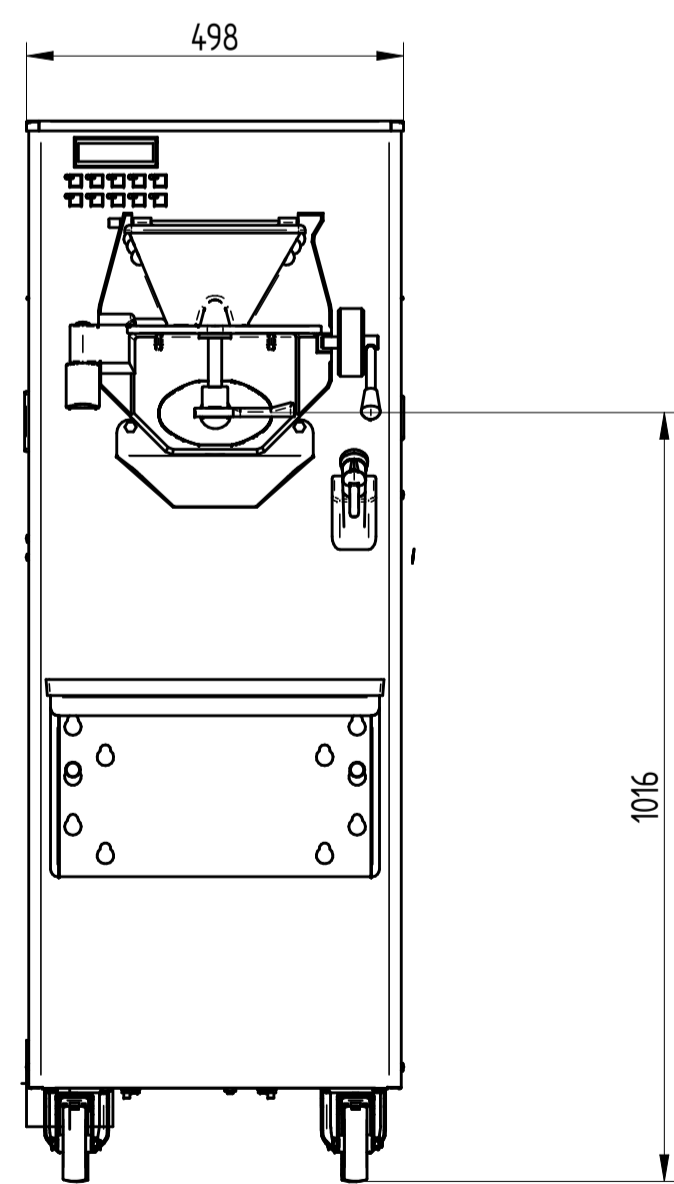
UPPER VIEW AIR VERSION



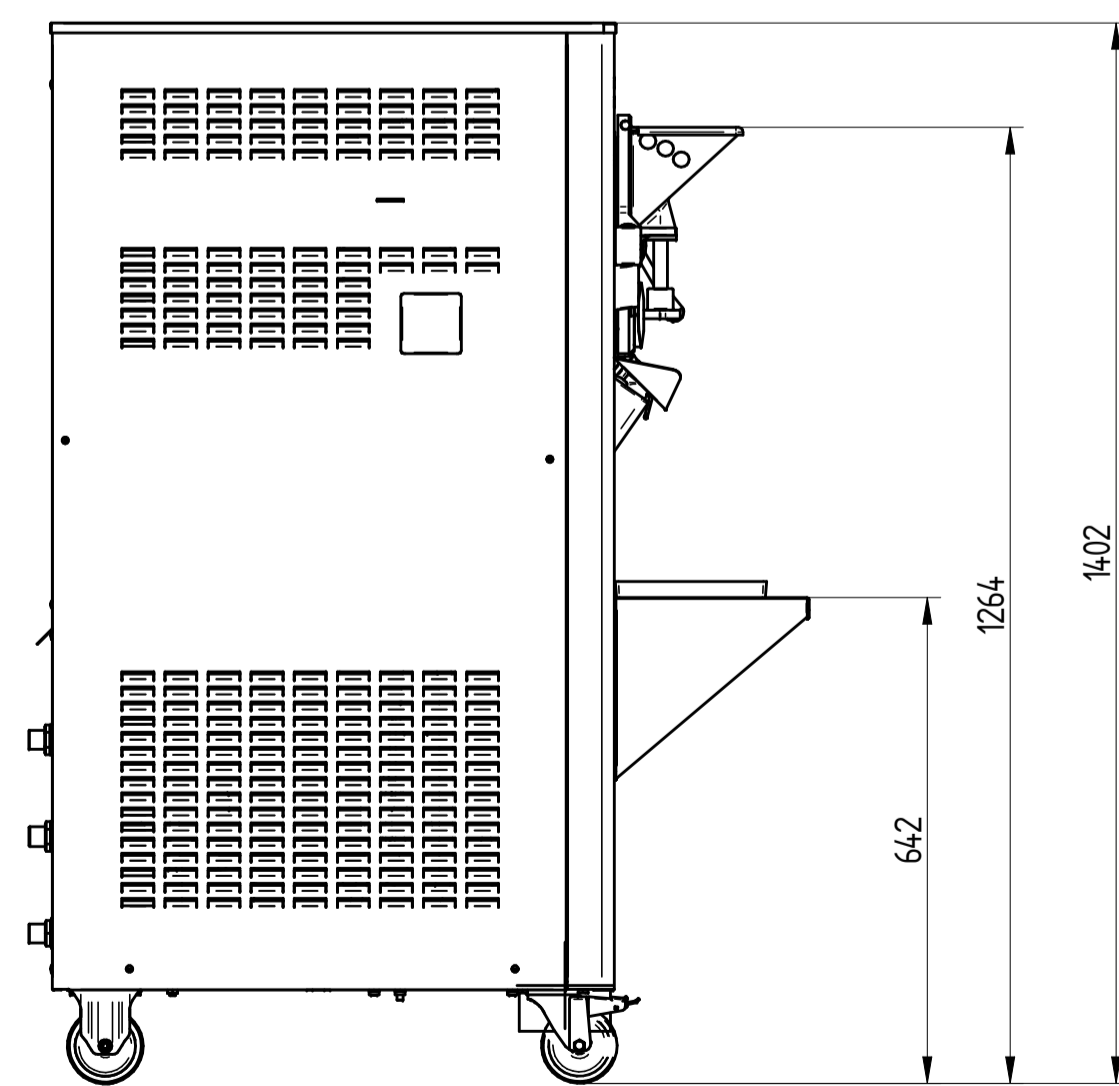
REAR VIEW WATER VERSION



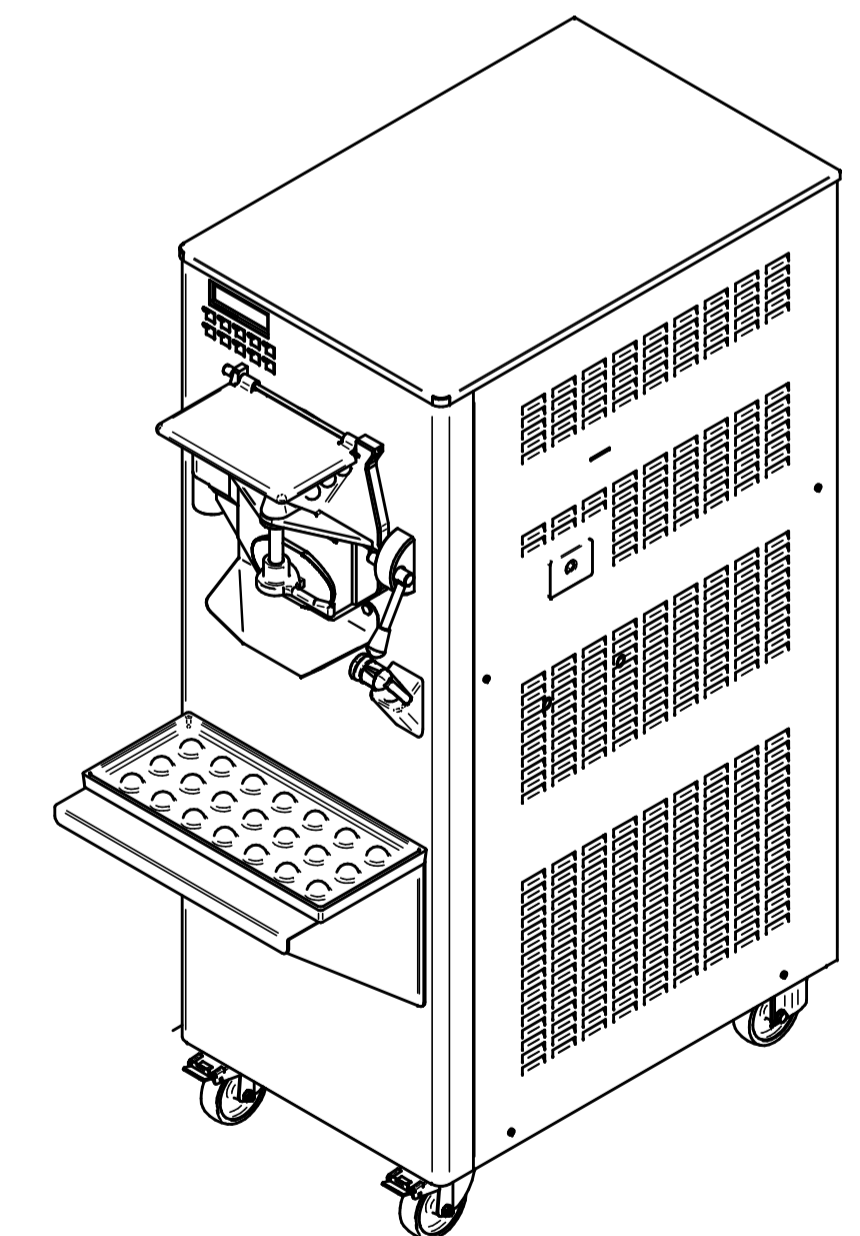
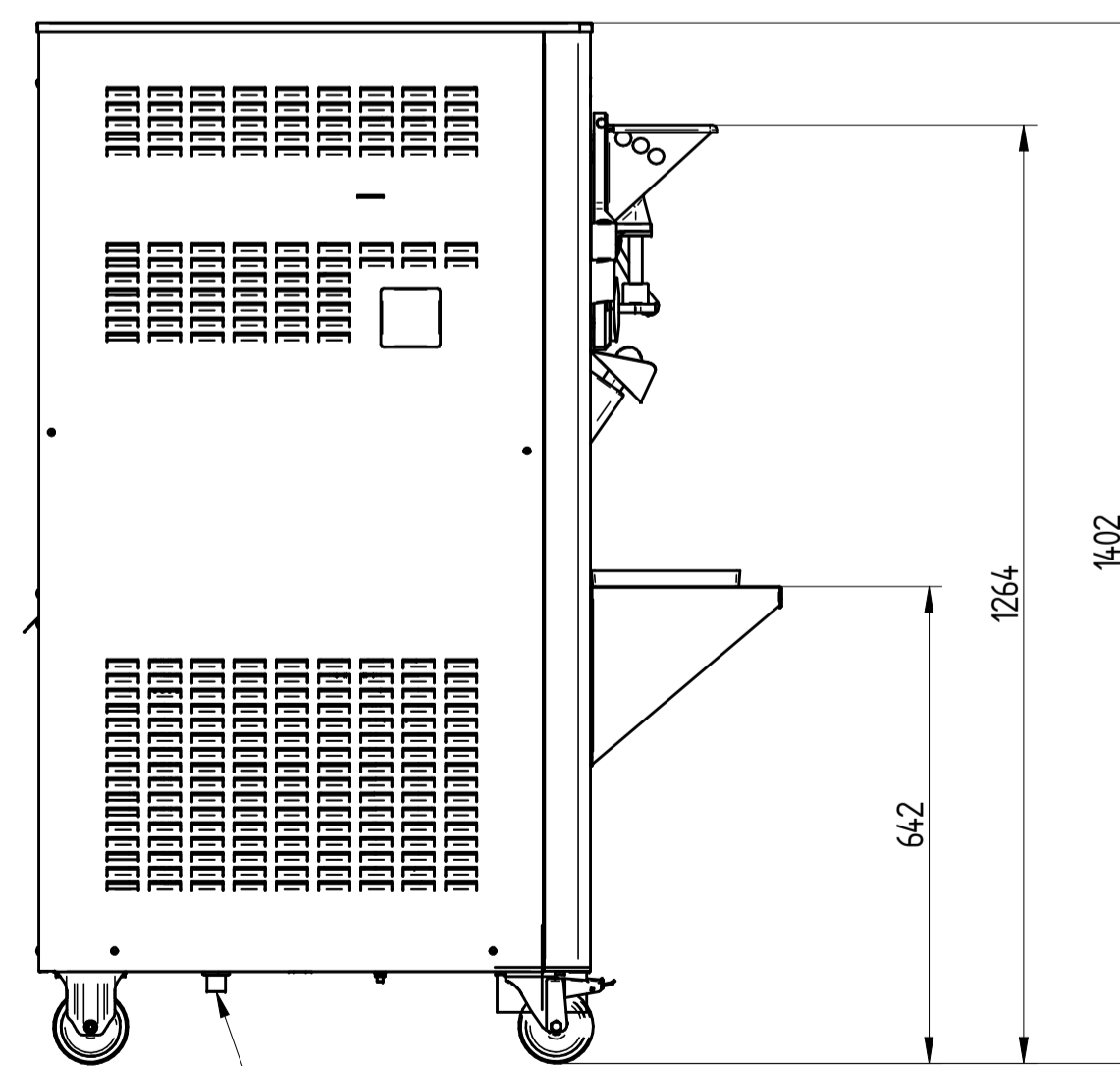
FRONT VIEW



LEFT SIDE VIEW WATER VERSION



LEFT SIDE VIEW AIR VERSION



INLET WATER POTABLE



DATE	REV.
16/03/2017	00